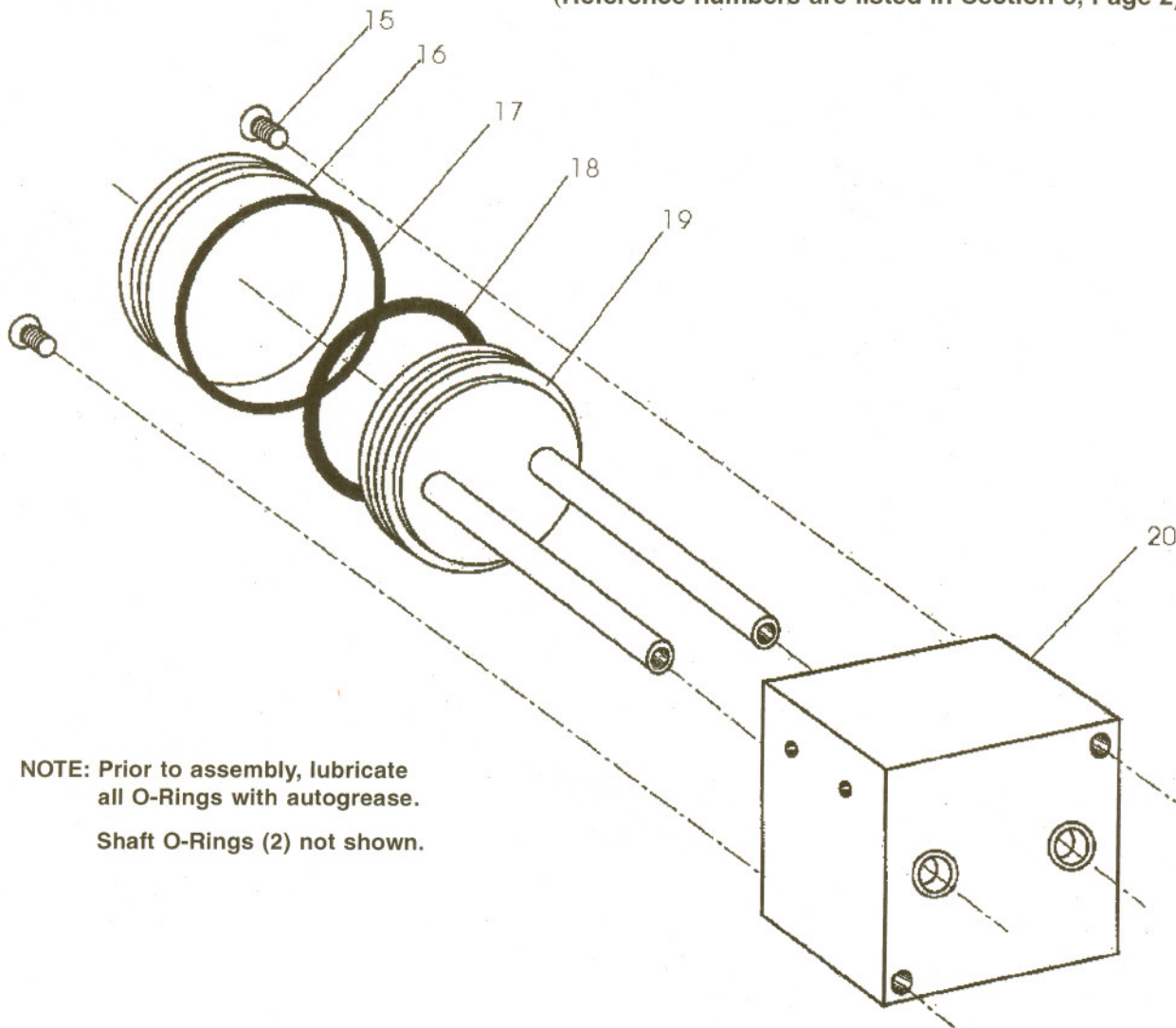


AIR CYLINDER DRAWING

(Reference numbers are listed in Section 5, Page 2)



NOTE: Prior to assembly, lubricate
all O-Rings with autogrease.

Shaft O-Rings (2) not shown.